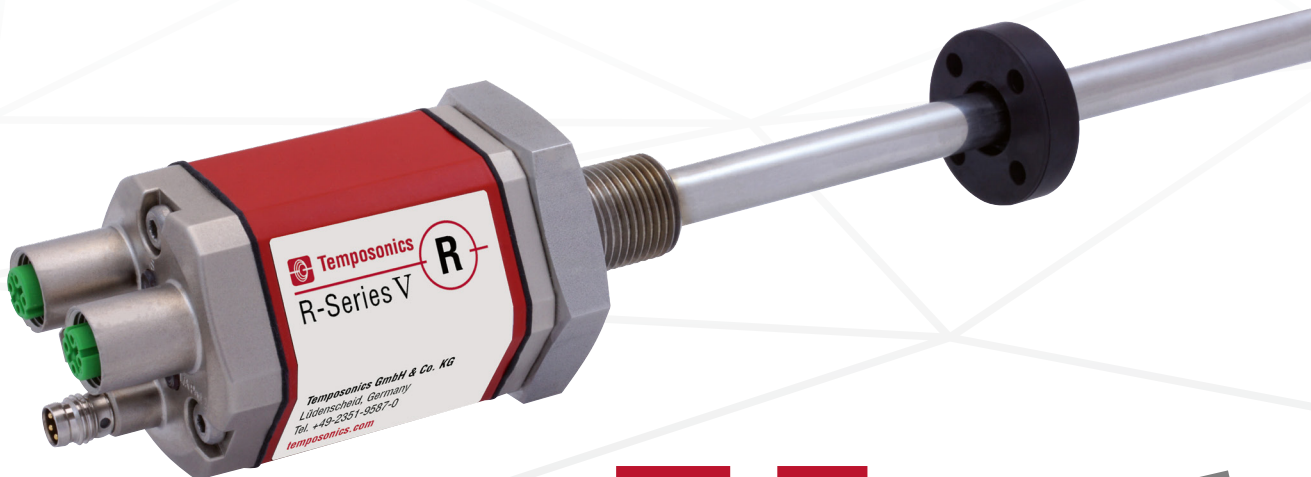


## Data Sheet

# R-Series V RH5 POWERLINK

## Magnetostrictive Linear Position Sensors

- Minimum position resolution 0.5  $\mu\text{m}$
- Position and velocity measurements for up to 30 magnets
- Field adjustments and diagnostics using the new TempoLink smart assistant



**V**  
THE NEW GENERATION

## MEASURING TECHNOLOGY

The absolute, linear position sensors provided by Temposonics rely on the company's proprietary magnetostrictive technology, which can determine position with a high level of precision and robustness. Each Temposonics position sensor consists of a ferromagnetic waveguide, a position magnet, a strain pulse converter and supporting electronics. The magnet, connected to the object in motion in the application, generates a magnetic field at its location on the waveguide. A short current pulse is applied to the waveguide. This creates a momentary radial magnetic field and torsional strain on the waveguide. The momentary interaction of the magnetic fields releases a torsional strain pulse that propagates the length of the waveguide. When the ultrasonic wave reaches the end of the waveguide it is converted into an electrical signal. Since the speed of the ultrasonic wave in the waveguide is precisely known, the time required to receive the return signal can be converted into a linear position measurement with both high accuracy and repeatability.

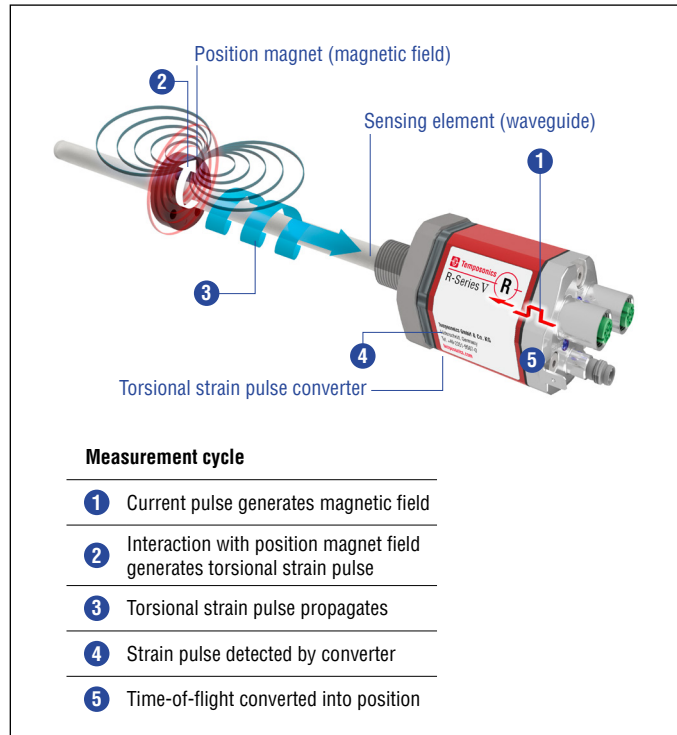


Fig. 1: Time-of-flight based magnetostrictive position sensing principle

## R-SERIES V POWERLINK

Temposonics® R-Series V brings very powerful sensor performance to meet the many demands of your application. The R-Series V is the long term solution for harsh environments that have high levels of shock and vibration. The sensor is equipped with POWERLINK V2 and supports a minimum cycle time of 250  $\mu$ s. In time-critical applications, the linear extrapolation can be activated. This offers a cycle time of 200  $\mu$ s for every sensor stroke length. The measurement of the sensor can be synchronized to the polling cycle of the controller. Temposonics® R-Series V sensors are available with internal linearization which offers improved linearity for overall higher accuracy of the position measurement values. In addition to the measured position value via the POWERLINK protocol further data about the current sensor status, such like the total distance travelled, the internal temperature and the total operating hours, can be displayed for diagnostic purposes.

With many outstanding features the R-Series V sensors are fit for a very broad range of applications.

## TempoLink® SMART ASSISTANT

The TempoLink® smart assistant is an accessory for the R-Series V family of sensors that supports setup and diagnostics. Depending on the sensor protocol it enables the adjustment of parameters like measurement direction, resolution and filter settings. For diagnostics and analysis of operational data the R-Series V sensors continuously track values such as total distance traveled by the position magnet, internal temperature of the sensor and the quality of the position signal. This additional information can be read out via TempoLink® smart assistant even while the sensor remains operational in the application. TempoLink® smart assistant is connected to the sensor via the power connection, which now adds bidirectional communication for setup and diagnostics. The TempoLink® smart assistant is operated using a graphical user-interface that will be displayed on your smartphone, tablet, laptop or PC. Just connect your Wi-Fi-enabled device to TempoLink® Wi-Fi access point and go to the website URL for the user-interface.



Fig. 2: R-Series V sensor with TempoLink® smart assistant

## TECHNICAL DATA

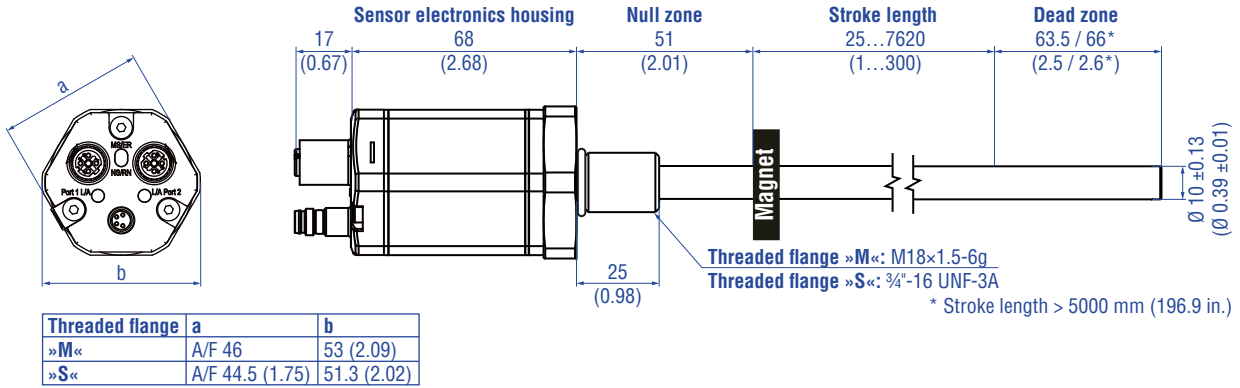
Output						
Interface	Ethernet POWERLINK					
Data protocol	POWERLINK V2					
Measured value	Position, velocity/option: Simultaneous multi-position and multi-velocity measurements up to 30 magnets					
Measurement parameters						
Resolution: Position	0.5...100 µm (selectable)					
Cycle time <sup>1</sup>	Stroke length	≤ 50 mm	≤ 715 mm	≤ 2000 mm	≤ 4675 mm	≤ 7620 mm
	Cycle time	250 µs	500 µs	1000 µs	2000 µs	3200 µs
Linearity deviation <sup>2</sup>	Stroke length	≤ 500 mm	> 500 mm			
	Linearity deviation	≤ ±50 µm	< 0.01 % F.S.			
	Optional internal linearization: Linearity tolerance (applies for the first magnet for multi-position measurement)					
	Stroke length	25...300 mm	300...600 mm	600...1200 mm		
	typical	± 15 µm	± 20 µm	± 25 µm		
	maximum	± 25 µm	± 30 µm	± 50 µm		
Repeatability	< ±0.001 % F.S. (minimum ±2.5 µm) typical					
Hysteresis	< 4 µm typical					
Temperature coefficient	< 15 ppm/K typical					
Operating conditions						
Operating temperature	-40...+85 °C (-40...+185 °F)					
Humidity	90 % relative humidity, no condensation					
Ingress protection	IP67 (connectors correctly fitted)					
Shock test	150 g/11 ms, IEC standard 60068-2-27					
Vibration test	30 g/10...2000 Hz, IEC standard 60068-2-6 (excluding resonant frequencies)/ RH5-J: 15 g/10...2000 Hz, IEC standard 60068-2-6 (excluding resonant frequencies)					
EMC test	Electromagnetic emission according to EN 61000-6-3					
	Electromagnetic immunity according to EN 61000-6-2					
	The sensor meets the requirements of the EC directives and is marked with <b>CE</b>					
Operating pressure	350 bar (5076 psi)/700 bar (10,153 psi) peak (at 10 × 1 min) for sensor rod/RH5-J: 800 bar (11,603 psi)					
Magnet movement velocity	Any					
Design / Material						
Sensor electronics housing	Aluminum (painted), zinc die cast					
Sensor flange	Stainless steel 1.4305 (AISI 303)					
Sensor rod	Stainless steel 1.4306 (AISI 304L)/RH5-J: Stainless steel 1.4301 (AISI 304)					
Stroke length	25...7620 mm (1...300 in.)/RH5-J: 25...5900 mm (1...232 in.)					
Mechanical mounting						
Mounting position	Any					
Mounting instruction	Please consult the technical drawings on <a href="#">page 4</a>					
Electrical connection						
Connection type	2 × M12 female connectors (D-coded), 1 × M8 male connector; 2 × M12 female connectors (D-coded), 1 × M12 male connector (A-coded)					
Operating voltage	+12...30 VDC ±20 % (9.6...36 VDC)					
Power consumption	Less than 4 W typical					
Dielectric strength	500 VDC (DC ground to machine ground)					
Polarity protection	Up to -36 VDC					
Overvoltage protection	Up to 36 VDC					

1/ Minimum cycle time for multi-position measurements (number of magnets ≥ 2): 400 µs

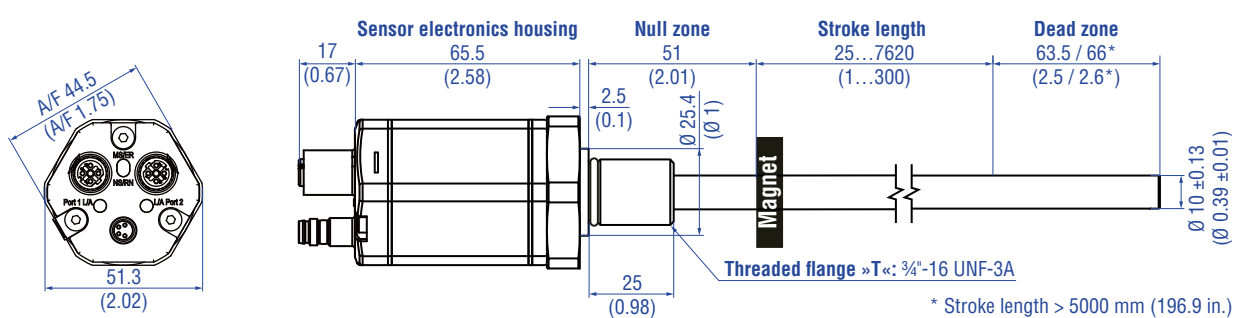
2/ With position magnet # 251 416-2

TECHNICAL DRAWING

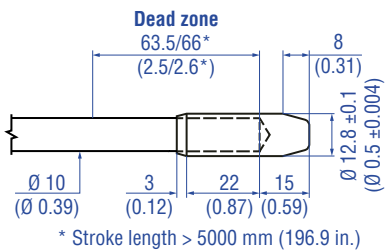
**RH5-M/S-A/-V – RH5 with threaded flange M18×1.5-6g or ¾"-16 UNF-3A, example: Connection type D56 (connector output)**



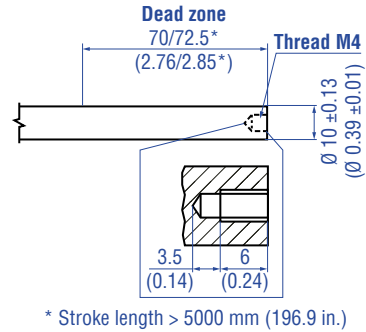
**RH5-T-A/-V – RH5 with threaded flange ¾"-16 UNF-3A with raised-face, example: Connection type D56 (connector output)**



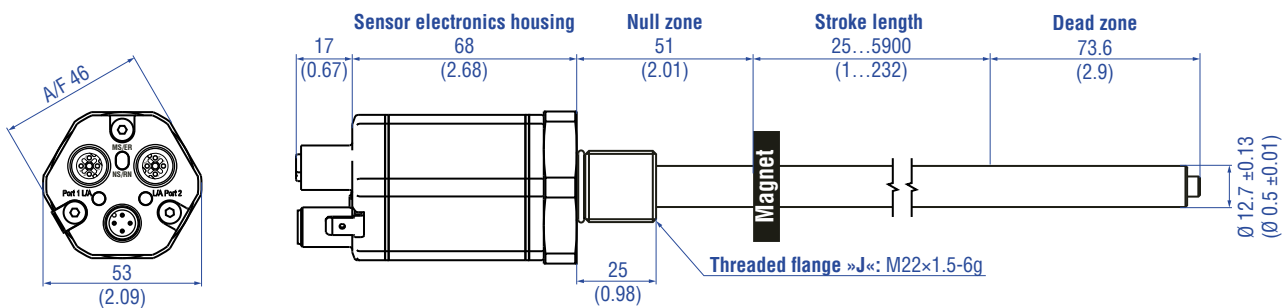
**Mechanical option »B«: Bushing on rod end for threaded flange M18×1.5-6g or ¾"-16 UNF-3A**



**Mechanical option »M«: Thread M4 at rod end for threaded flange M18×1.5-6g or ¾"-16 UNF-3A**



**RH5-J-A/-V – RH5 with threaded flange M22×1.5 and  $\varnothing 12.7$  mm rod, example: Connection type D58 (connector output)**



Controlling design dimensions are in millimeters and measurements in ( ) are in inches

Fig. 3: Temposonics® RH5 with ring magnet

Controlling design dimensions are in millimeters and measurements in ( ) are in inches

## CONNECTOR WIRING

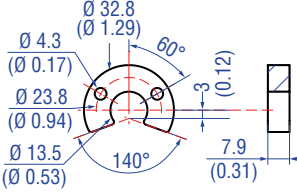
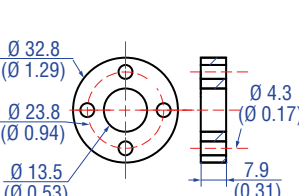
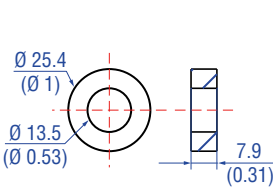
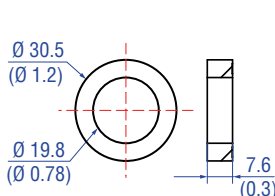
D56		
<b>Port 1 – Signal</b>		
<b>M12 female connector (D-coded)</b>	<b>Pin</b>	<b>Function</b>
<p>View on sensor</p>	1	Tx (+)
	2	Rx (+)
	3	Tx (-)
	4	Rx (-)
<b>Port 2 – Signal</b>		
<b>M12 female connector (D-coded)</b>	<b>Pin</b>	<b>Function</b>
<p>View on sensor</p>	1	Tx (+)
	2	Rx (+)
	3	Tx (-)
	4	Rx (-)
<b>Power supply</b>		
<b>M8 male connector</b>	<b>Pin</b>	<b>Function</b>
<p>View on sensor</p>	1	+12...30 VDC (±20 %)
	2	Not connected
	3	DC Ground (0 V)
	4	Not connected

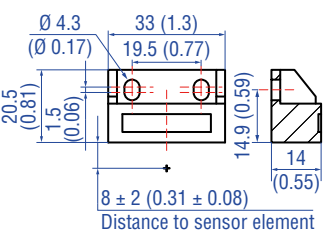
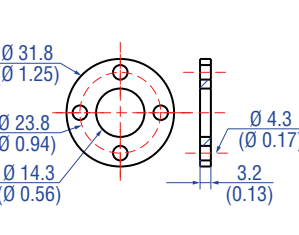
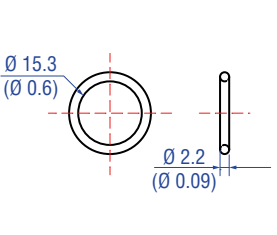
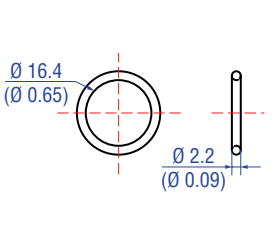
Fig. 4: Connector wiring D56

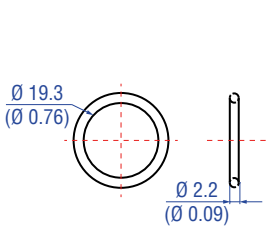
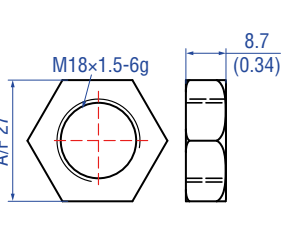
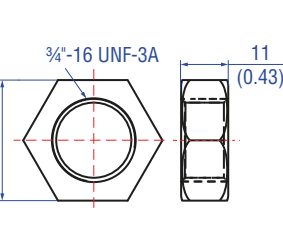
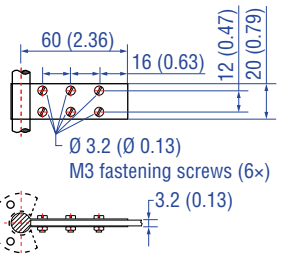
D58		
<b>Port 1 – Signal</b>		
<b>M12 female connector (D-coded)</b>	<b>Pin</b>	<b>Function</b>
<p>View on sensor</p>	1	Tx (+)
	2	Rx (+)
	3	Tx (-)
	4	Rx (-)
<b>Port 2 – Signal</b>		
<b>M12 female connector (D-coded)</b>	<b>Pin</b>	<b>Function</b>
<p>View on sensor</p>	1	Tx (+)
	2	Rx (+)
	3	Tx (-)
	4	Rx (-)
<b>Power supply</b>		
<b>M12 male connector (A-coded)</b>	<b>Pin</b>	<b>Function</b>
<p>View on sensor</p>	1	+12...30 VDC (±20 %)
	2	Not connected
	3	DC Ground (0 V)
	4	Not connected

Fig. 5: Connector wiring D58

**FREQUENTLY ORDERED ACCESSORIES** – Additional options available in our [Accessories Guide](#)  [551444](#)

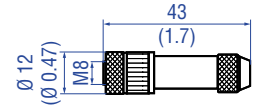
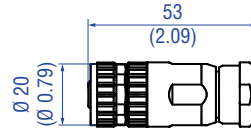
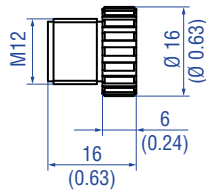
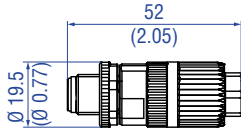
Position magnets			
			
<p><b>U-magnet OD33</b> Part no. 251 416-2</p> <p>Material: PA ferrite GF20 Weight: Approx. 11 g Surface pressure: Max. 40 N/mm<sup>2</sup> Fastening torque for M4 screws: 1 Nm Operating temperature: -40...+105 °C (-40...+221 °F)</p> <p>Marked version for sensors with internal linearization: Part no. 254 226</p>	<p><b>Ring magnet OD33</b> Part no. 201 542-2</p> <p>Material: PA ferrite GF20 Weight: Approx. 14 g Surface pressure: Max. 40 N/mm<sup>2</sup> Fastening torque for M4 screws: 1 Nm Operating temperature: -40...+105 °C (-40...+221 °F)</p> <p>Marked version for sensors with internal linearization: Part no. 253 620</p>	<p><b>Ring magnet OD25.4</b> Part no. 400 533</p> <p>Material: PA ferrite Weight: Approx. 10 g Surface pressure: Max. 40 N/mm<sup>2</sup> Operating temperature: -40...+105 °C (-40...+221 °F)</p> <p>Marked version for sensors with internal linearization: Part no. 253 621</p>	<p><b>Ring magnet</b> Part no. 402 316</p> <p>Material: PA ferrite coated Weight: Approx. 13 g Surface pressure: Max. 20 N/mm<sup>2</sup> Operating temperature: -40...+100 °C (-40...+212 °F)</p>

Position magnet	Magnet spacer	O-rings	
			
<p><b>Block magnet L</b> Part no. 403 448</p> <p>Material: Plastic carrier with hard ferrite magnet Weight: Approx. 20 g Fastening torque for M4 screws: 1 Nm Operating temperature: -40...+75 °C (-40...+167 °F)</p> <p>This magnet may influence the sensor performance specifications for some applications.</p>	<p><b>Magnet spacer</b> Part no. 400 633</p> <p>Material: Aluminum Weight: Approx. 5 g Surface pressure: Max. 20 N/mm<sup>2</sup> Fastening torque for M4 screws: 1 Nm</p>	<p><b>O-ring for threaded flange</b> M18×1.5-6g Part no. 401 133</p> <p>Material: Fluoroelastomer Durometer: 75 ± 5 Shore A Operating temperature: -40...+204 °C (-40...+400 °F)</p>	<p><b>O-ring for threaded flange</b> ¾"-16 UNF-3A Part no. 560 315</p> <p>Material: Fluoroelastomer Durometer: 75 ± 5 Shore A Operating temperature: -40...+204 °C (-40...+400 °F)</p>

O-ring	Mounting accessories		
			
<p><b>O-ring for threaded flange</b> M22×1.5-6g Part no. 561 337</p> <p>Material: FPM Durometer: 75 Shore A Operating temperature: -20...+200 °C (-6...+392 °F)</p>	<p><b>Hex jam nut M18×1.5-6g</b> Part no. 500 018</p> <p>Material: Steel, zinc plated</p>	<p><b>Hex jam nut ¾"-16 UNF-3A</b> Part no. 500 015</p> <p>Material: Steel, zinc plated</p>	<p><b>Fixing clip</b> Part no. 561 481</p> <p>Application: Used to secure sensor rods (Ø 10 mm (Ø 0.39 in.)) when using an U-magnet or block magnet Material: Brass, non-magnetic</p>

**Cable connectors\* – Signal**

**Cable connectors\* – Power**



**M12 D-coded male connector (4 pin), straight**  
Part no. 370 523

**M12 connector end cap**  
Part no. 370 537

**M12 A-coded female connector (4 pin/5 pin), straight**  
Part no. 370 677

**M8 female connector (4 pin), straight**  
Part no. 370 504

Material: Zinc nickel-plated  
Termination: Insulation-displacement  
Cable Ø: 5.5...7.2 mm (0.2...0.28 in.)  
Wire: 24 AWG – 22 AWG  
Operating temperature:  
–25...+85 °C (–13...+185 °F)  
Ingress protection: IP65 / IP67 (correctly fitted)  
Fastening torque: 0.6 Nm

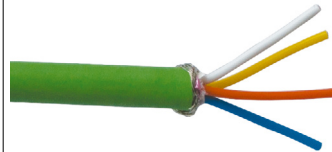
Female connectors M12 should be covered by this protective cap  
Material: Brass nickel-plated  
Ingress protection: IP67 (correctly fitted)  
Fastening torque: 0.39...0.49 Nm

Material: GD-Zn, Ni  
Termination: Screw  
Contact insert: CuZn  
Cable Ø: 4...8 mm (0.16...0.31 in.)  
Wire: 1.5 mm<sup>2</sup>  
Operating temperature:  
–30...+85 °C (–22...+185 °F)  
Ingress protection: IP67 (correctly fitted)  
Fastening torque: 0.6 Nm

Material: CuZn nickel plated  
Termination: Solder  
Cable Ø: 3.5...5 mm (0.14...0.28 in.)  
Wire: 0.25 mm<sup>2</sup>  
Operating temperature:  
–40...+85 °C (–40...+185 °F)  
Ingress protection: IP67 (correctly fitted)  
Fastening torque: 0.5 Nm

**Programming kit**

**Cables**



**TempoLink® kit for Temposonics® R-Series V**  
Part no. TL-1-0-EM08 (D56)  
Part no. TL-1-0-EM12 (D58)

**PUR signal cable**  
Part no. 530 125

**Signal cable with M12 D-coded male connector (4 pin), straight – M12 D-coded, male connector (4 pin), straight**  
Part no. 530 064

**Signal cable with M12 D-coded male connector (4 pin), straight – RJ45 male connector, straight**  
Part no. 530 065

- Connect wirelessly via Wi-Fi enabled device or via USB with the diagnostic tool
- Simple connectivity to the sensor via 24 VDC power line (permissible cable length: 30 m)
- User friendly interface for mobile devices and desktop computers
- See data sheet “TempoLink® smart assistant” (document part no.: [552070](#)) for further information

Material: PUR jacket; green  
Features: Cat 5, highly flexible, halogen free, suitable for drag chains, mostly oil & flame resistant  
Cable Ø: 6.5 mm (0.26 in.)  
Cross section: 2 × 2 × 0.35 mm<sup>2</sup> (22 AWG)  
Operating temperature:  
–20...+60 °C (–4...+140 °F)

Material: PUR jacket; green  
Features: Cat 5e  
Cable length: 5 m (16.4 ft)  
Cable Ø: 6.5 mm (0.26 in.)  
Ingress protection: IP65, IP67, IP68 (correctly fitted)  
Operating temperature:  
–30...+70 °C (–22...+158 °F)

Material: PUR jacket; green  
Features: Cat 5e  
Cable length: 5 m (16.4 ft)  
Cable Ø: 6.5 mm (0.26 in.)  
Ingress protection M12 connector: IP67 (correctly fitted)  
Ingress protection RJ45 connector: IP20 (correctly fitted)  
Operating temperature:  
–30...+70 °C (–22...+158 °F)

\*/ Follow the manufacturer’s mounting instructions

Controlling design dimensions are in millimeters and measurements in ( ) are in inches

Cables



**PVC power cable**  
**Part no. 530 108**

Material: PVC jacket; gray  
Features: Shielded, flexible,  
mostly flame resistant  
Cable Ø: 4.9 mm (0.19 in.)  
Cross section: 3 × 0.34 mm<sup>2</sup>  
Bending radius: 10 × D  
Operating temperature:  
-30...+80 °C (-22...+176 °F)



**Power cable with M8 female connector**  
**(4 pin), straight – pigtail**  
**Part no. 530 066 (5 m (16.4 ft.))**  
**Part no. 530 096 (10 m (32.8 ft.))**  
**Part no. 530 093 (15 m (49.2 ft.))**

Material: PUR jacket; gray  
Features: Shielded  
Cable Ø: 5 mm (0.2 in.)  
Operating temperature:  
-40...+90 °C (-40...+194 °F)



## ORDER CODE

1	2	3	4	5	6	7	8	9	10	11	12	13	14	15	16	17	18	19	20
R	H	5										D	5		1	U	3		1
a			b	c	d						e	f			g	h			

<b>a</b>	<b>Sensor model</b>
R H 5	Rod

<b>b</b>	<b>Design</b>
B	Base unit (only for replacement)
J	Threaded flange M22×1.5-6g (rod Ø 12.7 mm), stroke length: 25...5900 mm (1...232 in.)
M	Threaded flange M18×1.5-6g (standard)
S	Threaded flange ¾"-16 UNF-3A (standard)
T	Threaded flange ¾"-16 UNF-3A (with raised-face)

<b>c</b>	<b>Mechanical options</b>
A	Standard
B	Bushing on rod end (only for design »M«, »S« & »T«)
M	Thread M4 at rod end (only for design »M«, »S« & »T«)
V	Fluorelastomer seals for the sensor electronics housing

<b>d</b>	<b>Stroke length</b>
X X X X M	0025...7620 mm
	<b>Standard stroke length (mm)</b>
	25... 500 mm
	500... 750 mm
	750...1000 mm
	1000...2500 mm
	2500...5000 mm
	5000...7620 mm
X X X X U	001.0...300.0 in.
	<b>Standard stroke length (in.)</b>
	1... 20 in.
	20... 30 in.
	30... 40 in.
	40...100 in.
	100...200 in.
	200...300 in.
	Non-standard stroke lengths are available; must be encoded in 5 mm/0.1 in. increments.

<b>e</b>	<b>Number of magnets</b>
X X	01...30 position(s) (1...30 magnet(s))

<b>f</b>	<b>Connection type</b>
D 5 6	2 × M12 female connectors (D-coded), 1 × M8 male connector
D 5 8	2 × M12 female connectors (D-coded), 1 × M12 male connector (A-coded)


<b>g</b>	<b>System</b>
1	Standard

<b>h</b>	<b>Output</b>
U 3 0 1	POWERLINK, position and velocity (1...30 position(s))
U 3 1 1	POWERLINK, position and velocity, internal linearization (1...30 position(s))

**NOTICE**

- Specify the number of magnets for your application and order the magnets separately.
- The number of magnets is limited by the stroke length. The minimum allowed distance between magnets (i.e. front face of one to the front face of the next one) is 75 mm (3 in.).
- Use magnets of the same type for multi-position measurement, e.g. 2 × U-magnet (part no. 251416-2).
- If the option for internal linearization (U311) in **h** "Output" is chosen, select a suitable magnet.

## DELIVERY

 <p><b>RH5-B:</b></p> <ul style="list-style-type: none"> <li>Base unit (without flange/rod assembly)</li> <li>3 socket screws M4</li> </ul>	<p><b>RH5-J/-M/-S/-T:</b></p> <ul style="list-style-type: none"> <li>Sensor</li> <li>O-ring</li> </ul> <p>Accessories have to be ordered separately.</p>
--	--

Manuals, Software & 3D Models available at:  
[www.temposonics.com](http://www.temposonics.com)

**UNITED STATES**  
**Temposonics, LLC**  
Americas & APAC Region  
3001 Sheldon Drive  
Cary, N.C. 27513  
Phone: +1 919 677-0100  
E-mail: [info.us@temposonics.com](mailto:info.us@temposonics.com)

**GERMANY**  
**Temposonics**  
**GmbH & Co. KG**  
EMEA Region & India  
Auf dem Schüffel 9  
58513 Lüdenscheid  
Phone: +49 2351 9587-0  
E-mail: [info.de@temposonics.com](mailto:info.de@temposonics.com)

**ITALY**  
Branch Office  
Phone: +39 030 988 3819  
E-mail: [info.it@temposonics.com](mailto:info.it@temposonics.com)

**FRANCE**  
Branch Office  
Phone: +33 6 14 060 728  
E-mail: [info.fr@temposonics.com](mailto:info.fr@temposonics.com)

**UK**  
Branch Office  
Phone: +44 79 21 83 05 86  
E-mail: [info.uk@temposonics.com](mailto:info.uk@temposonics.com)

**SCANDINAVIA**  
Branch Office  
Phone: +46 70 29 91 281  
E-mail: [info.sca@temposonics.com](mailto:info.sca@temposonics.com)

**CHINA**  
Branch Office  
Phone: +86 21 2415 1000 / 2415 1001  
E-mail: [info.cn@temposonics.com](mailto:info.cn@temposonics.com)

**JAPAN**  
Branch Office  
Phone: +81 3 6416 1063  
E-mail: [info.jp@temposonics.com](mailto:info.jp@temposonics.com)

**Document Part Number:**  
552008 Revision B (EN) 11/2021



**temposonics.com**